

200RTD Ductile Iron Gate Valve • Spec Sheet



FEATURES & BENEFITS

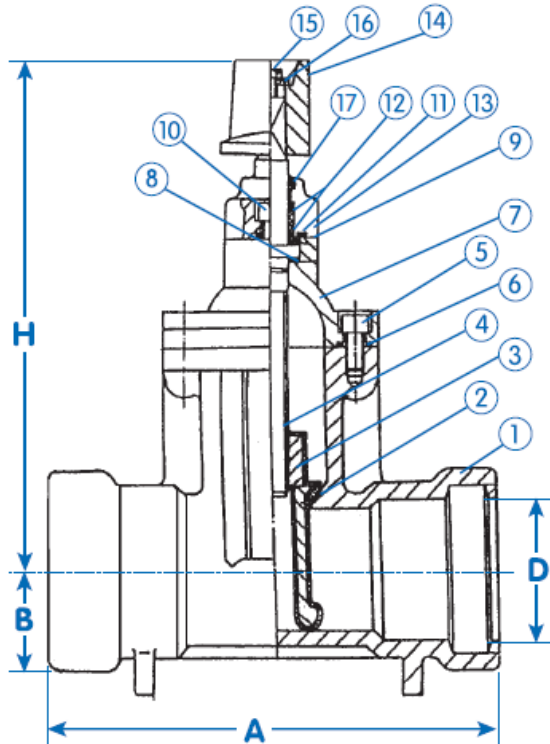
- Ductile Iron Body
- Resilient Wedge
- Ring-Tite Ends
- Fusion Bonded Epoxy Coating
- Non Rising Stem
- 250 CWP
- Meets AWWA C-515 standard
- Push On Ends for IPS PVC O.D. Pipe
- Sizes 2" - 12"

APPLICATIONS

Golf Course, Irrigation, Turf,
Water Distribution Services & Feed Lines

DIMENSIONS

| Size | Part # | A | B | H | D | Approx. WT. LBS |
|--------|----------|-------|------|-------|-------|-----------------|
| 2" | 200RTD08 | 10.52 | 2.36 | 9.85 | 2.48 | 28 |
| 2-1/2" | 200RTD09 | 10.76 | 2.56 | 11.07 | 2.99 | 42 |
| 3" | 200RTD10 | 10.76 | 2.96 | 12.49 | 3.62 | 44 |
| 4" | 200RTD11 | 13.75 | 3.55 | 13.36 | 4.69 | 69 |
| 6" | 200RTD13 | 16.89 | 4.73 | 16.59 | 6.76 | 119 |
| 8" | 200RTD14 | 18.51 | 5.91 | 20.76 | 8.75 | 203 |
| 10" | 200RTD15 | 21.24 | 7.09 | 24.35 | 10.91 | 278 |
| 12" | 200RTD16 | 26.48 | 8.12 | 27.58 | 12.90 | 421 |



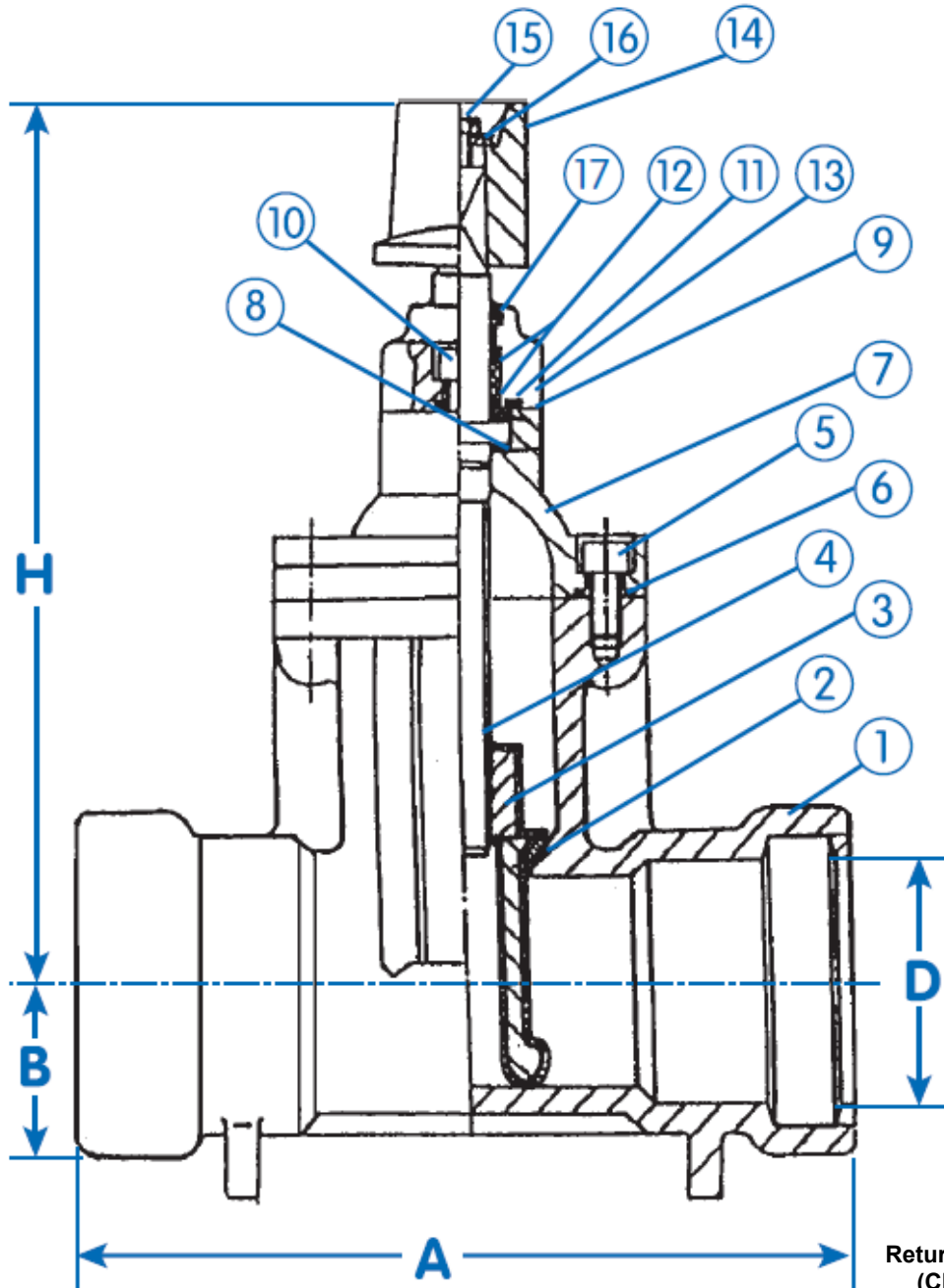
Enlarged Drawing On Page 2
(Click Here)

MATERIAL SPECIFICATIONS

| No. | Part | Material | ASTM Designation |
|-----|--------------------|----------------------------------|------------------------|
| 1 | Body | Ductile Iron | A536 65/45/12 |
| 2 | Disc | Ductile Iron Rubber Encapsulated | A536 65/45/12 / BUNA-N |
| 3 | Stem Nut | Bronze | B584 UNS C83600 |
| 4 | Stem | Stainless Steel | AISI 410 UNS S41000 |
| 5 | Bonnet Bolt | Stainless Steel | GR 304 |
| 6 | Bonnet Gasket | BUNA-N | Commercial |
| 7 | Bonnet | Ductile Iron | A536 65/45/12 |
| 8 | Split Ring | Brass | B16 UNS C36000 |
| 9 | Thrust Washer | Stainless Steel | GR 304 |
| 10 | Packing Box Bolt | Stainless Steel | GR 304 |
| 11 | Packing Box Gasket | BUNA-N | Commercial |
| 12 | O-Rings | BUNA-N | Commercial |
| 13 | Packing Box | Ductile Iron | A536 65/45/12 |
| 14 | Operating Nut | Ductile Iron | A536 65/45/12 |
| 15 | Top Bolt | Stainless Steel | GR 304 |
| 16 | Washer | Stainless Steel | AISI 410 UNS S41000 |
| 17 | Wiper Ring | BUNA-N | Commercial |



200RTD Ductile Iron Gate Valve • Spec Sheet



[Return To Page 1 \(Click Here\)](#)



200RTD Ductile Iron Gate Valve • Spec Sheet

Valve Closure Wheel Rotation Specification for 200MD, WD & RTD Series Gate Valves

The following table notes how many Stem/Wheel rotations are required to completely open or close the 200MD/WD&RTD Series Valves.

| Valve Size | Turns to Shut Off |
|------------|-------------------|
| 2" | 7 |
| 2-1/2" | 9 |
| 3" | 10 |
| 4" | 13 |
| 6" | 15 |
| 8" | 17 |
| 10" | 21 |
| 12" | 25 |

